



26-28 April 2024: Convention of the German Section of the G-QRP Club

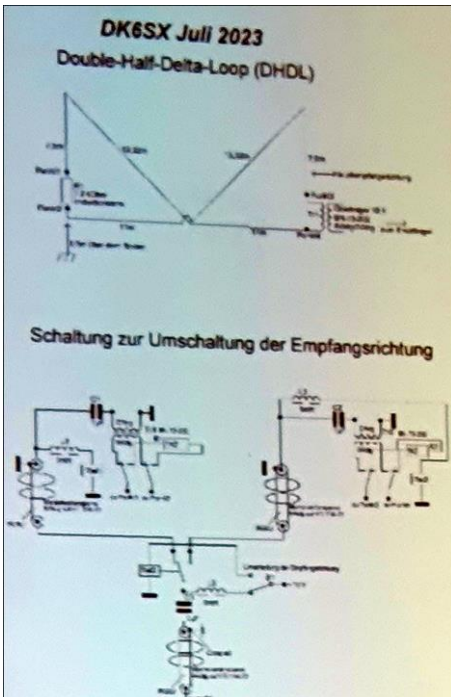
Uli, DL1DXA, G-QRP Club #8979, 2024-04-29



The 2024 convention of the German section of the G-QRP Club took place in Konnersreuth near Waldsassen (Upper Palatinate, Bavaria). The venue was the inn “Zum Kouh-Lenzen”.

Friday:

On Friday evening, the first 20 om and 7 yls/xyls met at the conference venue for a welcome and dinner.

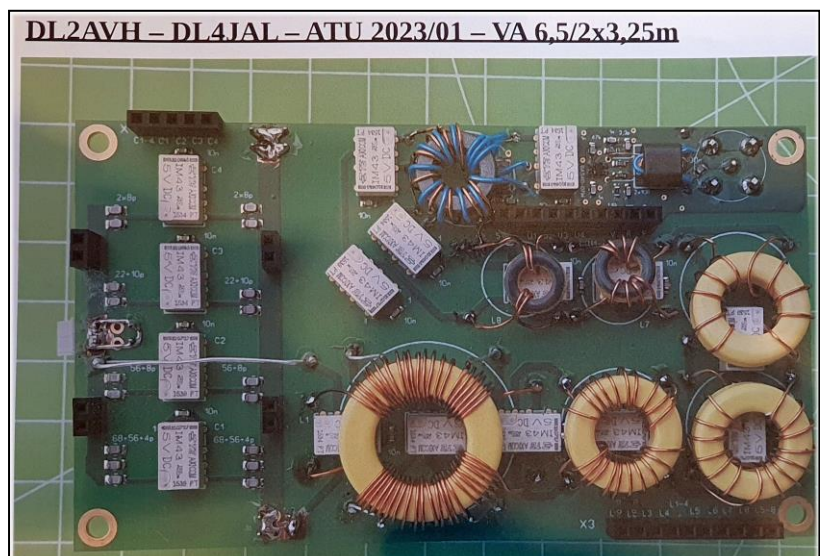


Saturday:

The presentation program started with Willi's ([DK6SX](#)) home-built [Double Half Delta Loop \(DHDL\)](#) with directional switching for the 160-meter band. This receiving antenna led to a significant improvement in his results in the CQ WW 160-Meter CW contest. The DHDL was originally developed by George, AA7JV, for his low band expedition to Chesterfield (TX3A) in 2009. The DHDL is very quiet but requires a preamplifier for 160m.

Dietmar, DL2BZE, then described his Raspberry Pi with 'Touchscreen' (see G7SCU: “[Raspberry Pi für Funkamateure](#)”, elector, 320 p.)

Helmut, [DL2AVH](#), presented his ATU 2023/01, which he developed together with Andreas, [DL4JAL](#), on the subject of “Radio operation in nature”. This was followed by a practical demonstration on a 2x3.25m symmetrical vertical dipole on a 7m Spiderbeam portable mast.



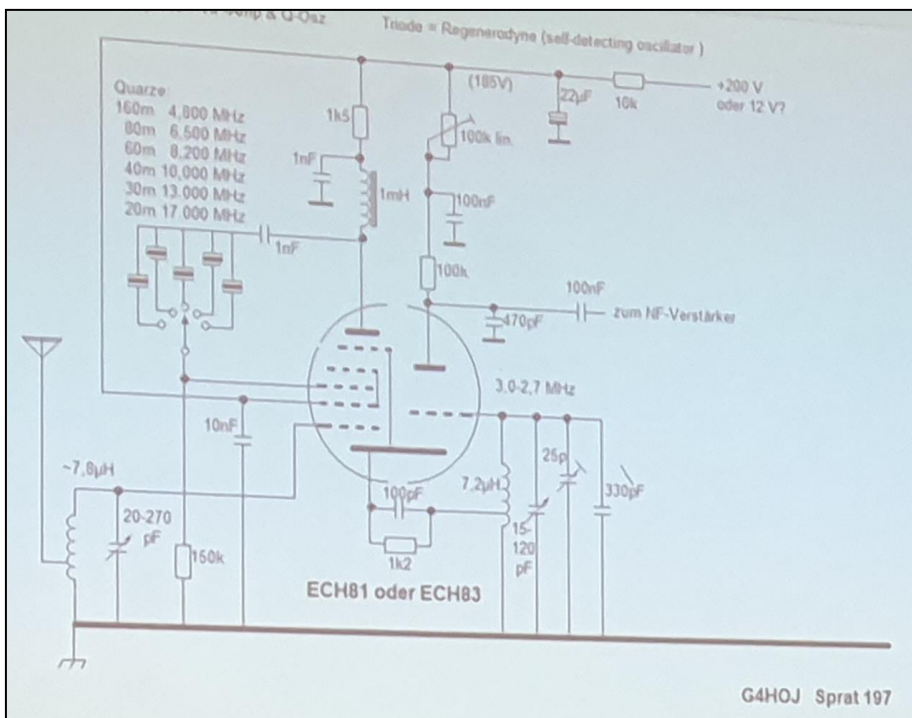
After the lunch break we continued with Dietmar's, DL2BZE, presentation on the 7" handheld VNWA 3V4401A (50 kHz - 4.4 GHz).



Z-Match (left) versus S-Match (right)

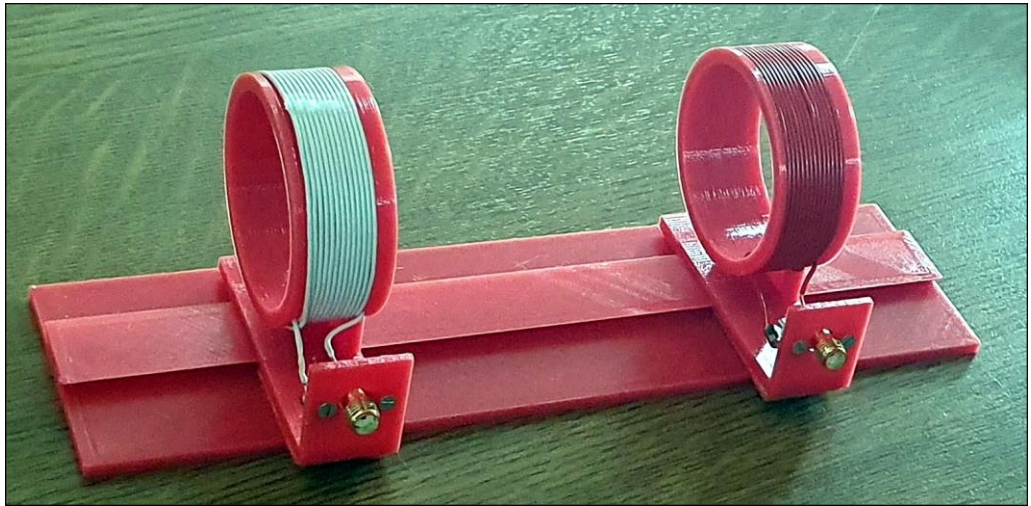
Oli, DF6MS, presented his new home-made S-Match and explained the advantages and disadvantages compared to his Z-Match. His handmade variometers were particularly impressive.

Sunday:



Sunday morning continued with a very detailed presentation by Manfred, DK4NQ, on various tube circuits using low (anode) voltages.

Before the joint final lunch in the hotel “Weisses Ross”, the lecture program ended with Alois', DL8RAM, presentation of a device made with the 3D printer to investigate the coupling factors of inductive coupled coils.



YL/XYL program

The women had their own program and went on hikes to Waldsassen and around Konnersreuth. Only Dagmar, DM9YL, from the Erzgebirge listened to the presentations together with the men.



The women's hiking group in front of Waldsassen Abbey Basilica

On the way home, Uli, DL1DXA, and xyl activated Falkenberg Castle (COTA DL-02335, BOB-001) near Tirschenreuth.



Falkenberg Castle

Appendix

The G-QRP club was formed by George Dobbs, G3RJV, (1943-2019) in 1974.

After the opening of the border, QRP enthusiasts from East and West Germany met again in the early 1990s for eyeball QSOs in Pottenstein (Franconian Switzerland) after years of separation.

From the beginning, however, it was not their intention to found a German QRP club. Rather, they decided to establish a loose connection with the QRP club in the UK, which had a certain role model function for many of us. Most of us are members of the G-QRP Club and receive the magazine SPRAT quarterly.

The G-QRP club's motto is: "It is vain to do with more what can be done with less." after the English philosopher William of Ockham (14th century).

From a German perspective, Albert Einstein's theorem is also suitable:
"You should make things as simple as possible, but not simpler."

72, Uli - DL1DXA